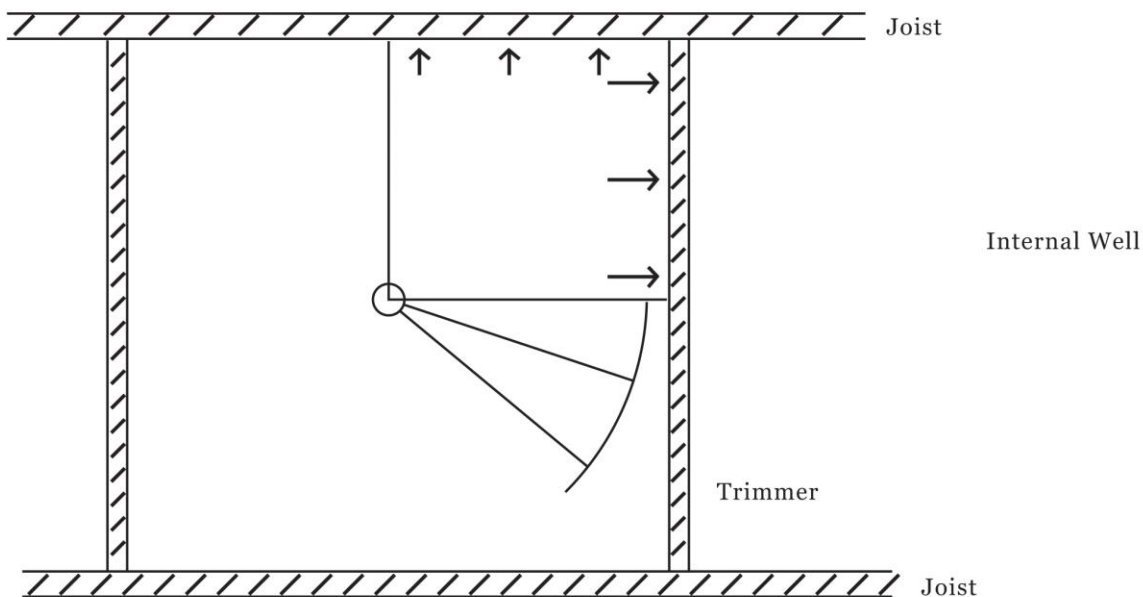
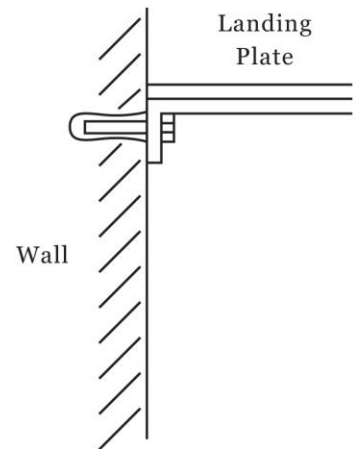
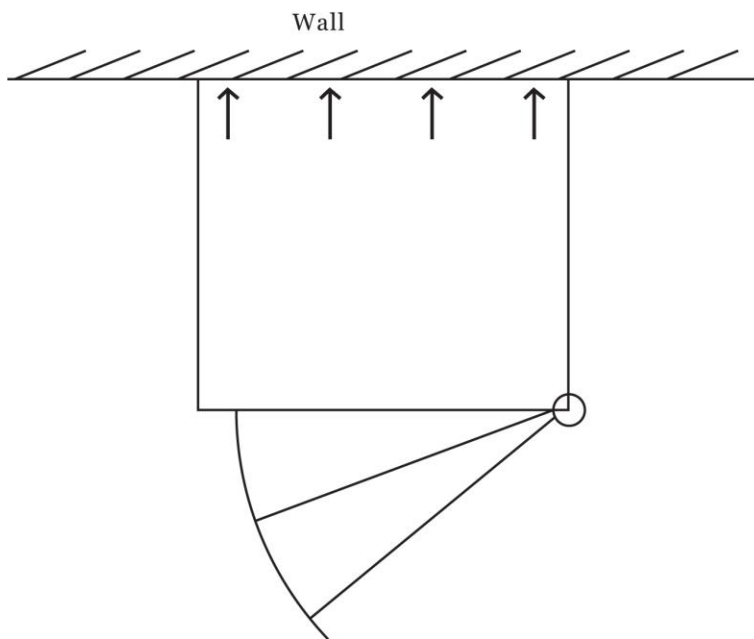




## 90 DEGREE LANDING AND BALCONY SUGGESTED FIXING

Drill through the steel frame in the required positions and fix to the well edge or wall as applicable



### British Spirals & Castings

Peak Building, Eccles Rd, Chapel-en-le-Frith, High Peak, SK23 9RG

**T** +44(0)1663 750716 **E** sales@britishsc.co.uk **www.britishsc.co.uk**

A trading division of Harding Sales Ltd. Registered Office: Gorsty Low Farm, The Wash, Chapel-en-le-Frith, SK23 0QL. Company Registration Number: 7550371

A FOUNDING MEMBER OF  
*The Spiral Manufacturers Association*